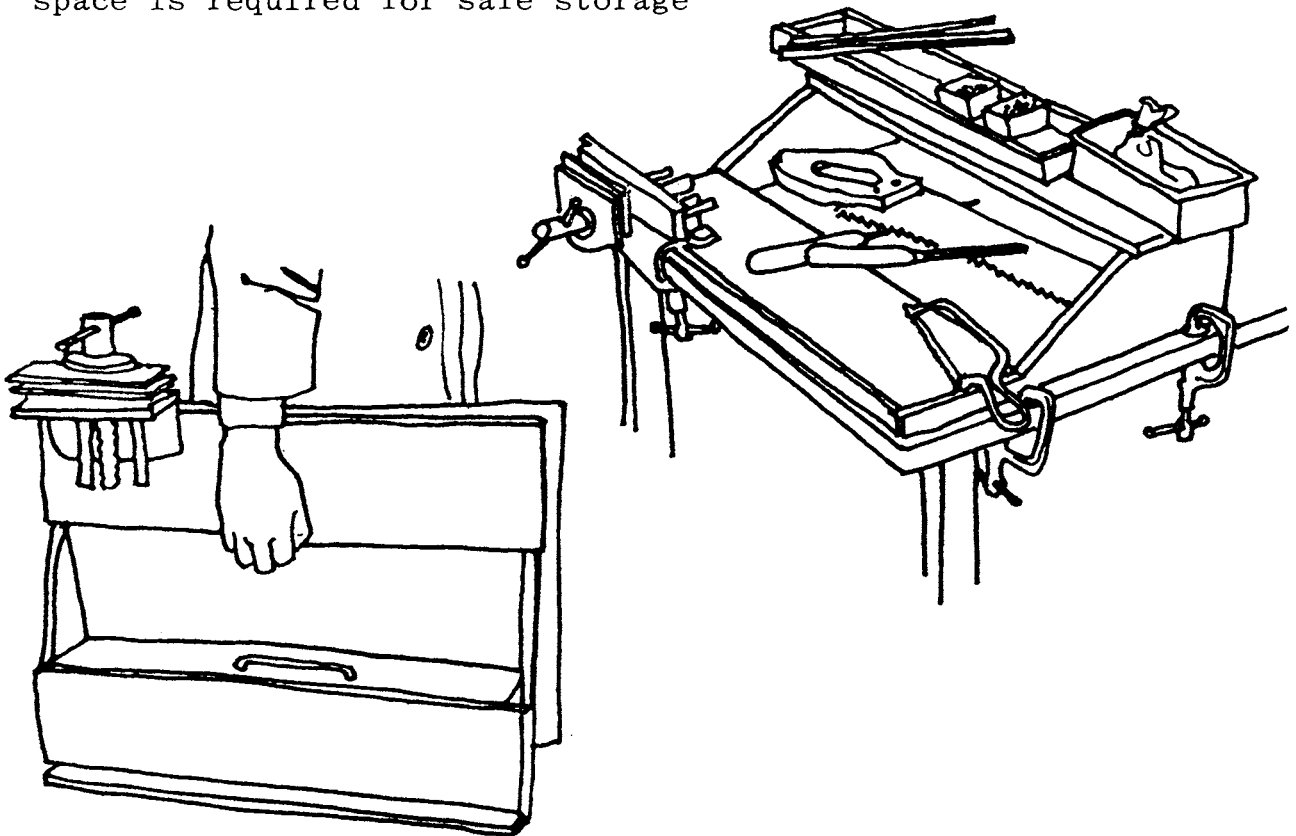


WORK TOP

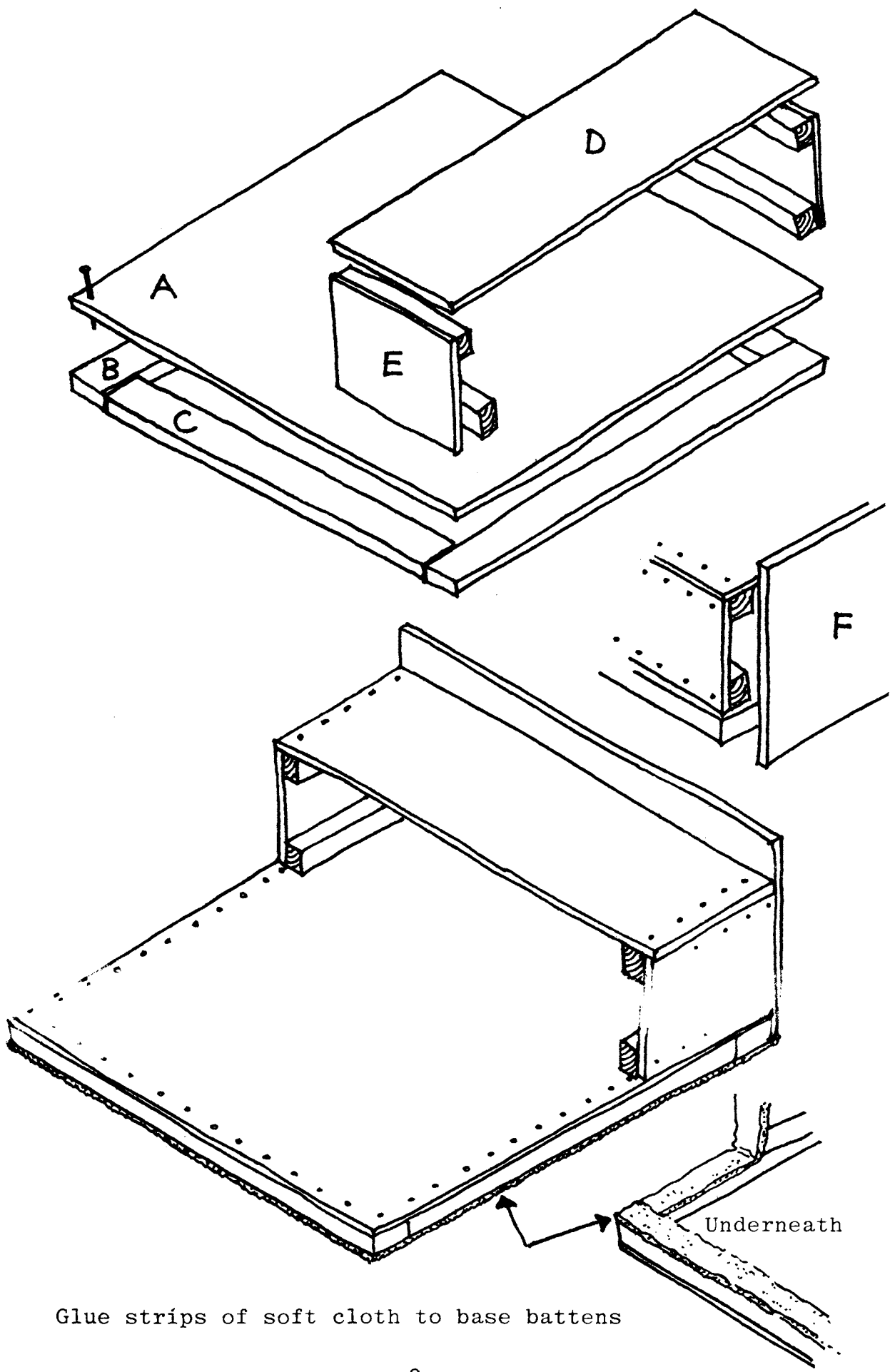
The problem for any teacher is not 'what shall I make' but 'where and with what shall I make it?'. The same is often said about practical work in the classroom.

The work top overcomes many of these problems as it not only provides a working surface and tool box, but instantly converts any table top into a work bench without causing any damage to the table's surface. If a number are made, any classroom can quickly become a workshop for practical subjects, and equally easily be converted quickly back again when the lesson is over. As the work tops are stored on end, very little space is required for safe storage



Materials :

- A Plywood $\frac{1}{4}$ " x 18" x 24"
- B Softwood $\frac{1}{2}$ " x $1\frac{1}{4}$ " x 24"
- C Softwood $\frac{1}{2}$ " x $1\frac{1}{4}$ " x $15\frac{1}{2}$ "
- D Softwood $\frac{1}{2}$ " x 6" x 24"
- E Softwood $\frac{1}{2}$ " x 6" x 6"
- F Plywood $\frac{1}{4}$ " x $6\frac{1}{2}$ " x 24"



Glue strips of soft cloth to base battens